

Manual de seleção de acoplamentos



PRADO

AUTOMAÇÃO INDUSTRIAL

LF Serie

❖ Características do produto:

Excelente elasticidade, capaz de absorver vibrações, fora do centro e fora da diagonal. Com isolamento elétrico.

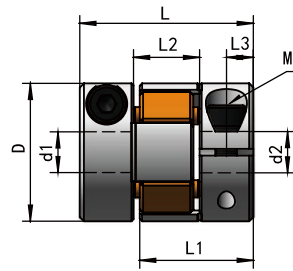
❖ Uso do produto:

Mesa deslizante de roda Xy/mesa de indexação/máquina-ferramenta/
máquina de moldagem por injeção/equipamentos de manuseio/máquina de distribuição.

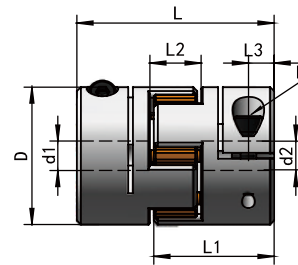


LF	- B/D	- D25	L35	/ 10	- 10
Model	Installation	Coupling diameter	Coupling length	Inner apertured1	Inner apertured2

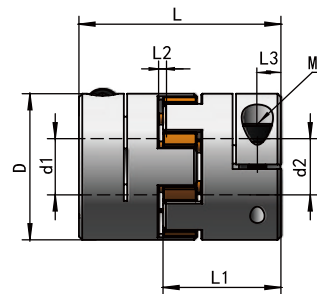
Product size



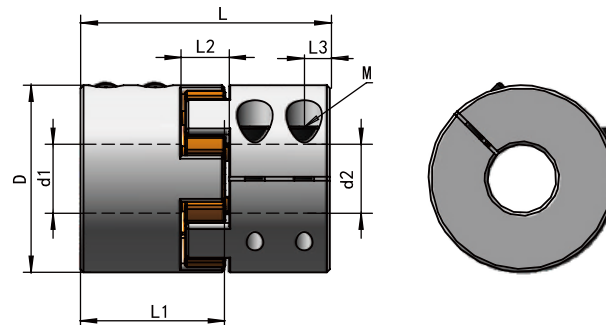
LF-B Twoclaws



LF-B Threeclaws



LF-B Fourpaws



LF-B Extended

Product model

Model	D (mm)	L (mm)	d1—d2		Mounting screws (M)	Number of screws (pcs)	L1 (mm)	L2 (mm)	L3 (mm)	Screw tightening torque (N.m)
			MinBore	MaxBore						
LF-D-D14L22(2claws)	14	22	3	6.35	M3	2	14	8	3.5	2.1
LF-B-D14L22(2 claws)	14	22	3	6.35	M2.5	2	14	8	3.5	1.1
LF-B-D20L25(2 claws)	20	25	4	10	M3	2	16.5	9.4	3.9	2.1
LF-B-D20L30(2 claws)	20	30	4	10	M3	2	19	9.4	5.15	2.1
LF-B-D25L30(2 claws)	25	30	5	14	M3	2	20	11.5	4.6	2.1
LF-B-D25L35(2 claws)	25	35	5	14	M3	2	22.5	11.5	6	2.1
LF-B-D30L35(2 claws)	30	35	6	16	M4	2	22.5	11.5	6	4.9
LF-B-D30L35(3 claws)	30	35	6	16	M4	2	22.5	13	5.5	4.9

LF Serie

Product model

Model	D (mm)	L (mm)	d1 — d2		Mounting screws (M)	Number ofscrews (pcs)	L1 (mm)	L2 (mm)	L3 (mm)	Screwtightening torque (N.m)
			MinBore	MaxBore						
LF-B-D30L40(2claws)	30	40	6	16	M4	2	25	11.5	7	4.9
LF-B-D30L40(3 claws)	30	40	6	16	M4	2	25	13	6.75	4.9
LF-B-D30L50(3 claws)	30	50	6	14	M4	2	30	13	6.25	4.9
LF-B-D35L40(3 claws)	35	40	8	20	M4	2	25.5	13.5	7	4.9
LF-B-D35L50(3 claws)	35	50	8	20	M4	2	30.5	13	6.5	4.9
LF-B-D35L60(3 claws)	35	60	8	20	M4	2	35.5	13	6.5	4.9
LF-B-D40L50(3 claws)	40	50	8	22	M5	2	31	15	8.7	10
LF-B-D40L55(3 claws)	40	55	8	22	M5	2	33.5	15	7	10
LF-D-D40L66(3 claws)	40	66	8	22	M5	2	39	15	8	10
LF-B-D40L78(3 claws)	40	78	8	22	M5	4	45	15	9	10
LF-B-D45L66(3 claws)	45	66	10	25	M5	2	39.5	16	8	10
LF-B-D45L78(3 claws)	45	78	10	25	M5	4	45.5	16	8.5	10
LF-B-D55L66(4 claws)	55	66	12	30	M6	2	40	16	8.5	17
LF-B-D55L78(4 claws)	55	78	12	30	M6	2	46	16	8.5	17
LF-B-D65L90(4 claws)	65	90	14	38	M8	2	52.5	19	10.5	44
LF-B-D80L115(4 claws)	80	115	16	45	M8	2	66.5	22	12.5	44
LF-B-D95L126(4 claws)	95	126	18	55	M10	4	73	24.5	13	90

Technical parameter

Model	Ratedbutton (N·m)	Maximum button (N·m)	Maximum speed (r/min)	Moment of inertia (kg/m ²)	Allowable eccentricity (mm)	Allowable deflection (°)	Weight (g)
LF-D-D14L22(2claws)	0.8	1.5	19000	1.9×10^{-7}	0.1	1	14
LF-B-D14L22(2claws)	1.1	2.2	19000	1.9×10^{-7}	0.1	1	14
LF-B-D20L25(2claws)	2.8	5.6	17000	1×10^{-6}	0.15	1	26
LF-B-D20L30(2claws)	2.8	5.6	17000	1×10^{-6}	0.15	1	30
LF-B-D25L30(2claws)	6	12	16000	2×10^{-6}	0.15	1	45
LF-B-D25L35(2claws)	6	12	16000	2×10^{-6}	0.15	1	51
LF-B-D30L35(2claws)	6.5	13	15000	6×10^{-6}	0.15	1	72
LF-B-D30L40(2claws)	6.5	13	15000	6×10^{-6}	0.15	1	81
LF-B-D30L35(2claws)	6.5	13	14000	6×10^{-6}	0.15	1	72
LF-B-D30L40(3claws)	6.5	13	14000	6×10^{-6}	0.15	1	81
LF-B-D30L50(3claws)	6.5	13	14000	6×10^{-6}	0.15	1	105
LF-B-D35L40(3claws)	8	15	14000	1×10^{-5}	0.15	1	114
LF-B-D35L50(3claws)	8	15	13000	1×10^{-5}	0.15	1	135
LF-B-D35L60(3claws)	8	15	13000	1×10^{-5}	0.15	1	161
LF-B-D40L50(3claws)	28	40	13000	3.6×10^{-5}	0.15	1	175
LF-B-D40L55(3claws)	28	40	13000	3.6×10^{-5}	0.15	1	192
LF-B-D40L66(3claws)	28	40	13000	3.6×10^{-5}	0.15	1	229
LF-B-D40L78(3claws)	32	64	13000	3.6×10^{-5}	0.15	1	270
LF-B-D45L66(3claws)	35	50	12000	7.2×10^{-5}	0.15	1	288
LF-B-D45L78(3claws)	40	80	12000	7.2×10^{-5}	0.15	1	340
LF-B-D55L66(4claws)	35	62	10500	1.6×10^{-4}	0.15	1	428
LF-B-D55L78(4claws)	46	92	10500	1.6×10^{-4}	0.15	1	505
LF-B-D65L90(4claws)	110	210	8300	3.5×10^{-4}	0.15	1	811
LF-B-D80L115(4claws)	135	270	7000	1×10^{-3}	0.15	1	1565
LF-B-D95L126(4claws)	420	520	6000	2.3×10^{-3}	0.15	1	2415

LDSerie



Características do produto:

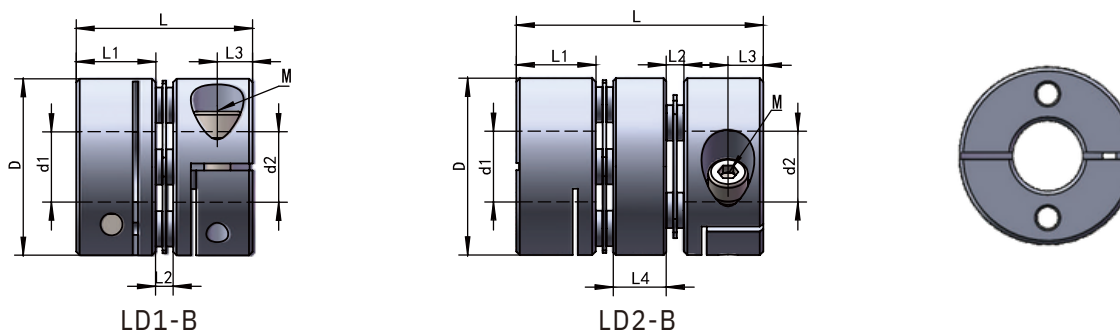
Os diafragmas de aço inoxidável permitem desalinhamento axial, descentralizado e fora do ângulo. Aplicável ao servo motor de torque máximo instantâneo

Uso do produto:
Mesa deslizante de rolo Xy/mesa de indexação/máquina-ferramenta/máquina de embalagem de superfície.

LD1 - B - D20 L20 / 8 - 8

Model Installation Coupling diameter Coupling length Inner apertured1 Inner apertured2

Product size



Product model

Model	D (mm)	L (mm)	d1 — d2		Mounting screws (M)	L1 (mm)	L2 (mm)	L3 (mm)	L4 (mm)	Screwtightening torque (N.m)
			MinBore	MaxBore						
LD1-B-D20L20	20	20	3	8	M3	9	2	4	/	2.1
LD1-B-D26L26	26	26	4	12	M3	11.8	2.4	4.1	/	2.1
LD1-B-D32L28	32	28	5	16	M3	12.4	3.2	4	/	2.1
LD1-B-D34L33	34	33	5	16	M4	14.9	3.2	5.2	/	4.9
LD1-B-D34L38	34	38	5	16	M4	17.4	3.2	5.4	/	4.9
LD1-B-D40L35	40	35	6	19	M4	15.5	4	5	/	4.9
LD1-B-D45L35	45	35	8	22	M4	15.5	4	5	/	4.9
LD1-B-D50L44	50	44	10	22	M5	20	4	6.8	/	10
LD1-B-D56L45	56	45	12	22	M5	20	5	6	/	10
LD1-B-D68L54	68	54	14	35	M6	24.5	5	8	/	17
LD1-B-D82L68	82	68	16	42	M8	30.8	6.5	10.8	/	44
LD1-B-D20L28	20	28	3	8	M3	9	2	4	6	2.1
LD1-B-D26L35	26	35	4	12	M3	11.8	2.4	4.1	6.6	2.1
LD1-B-D32L41	32	41	5	16	M3	12.4	3.2	4	9.8	2.1
LD1-B-D34L45	34	45	5	16	M4	14.9	3.2	5.2	8.8	4.9
LD1-B-D40L50	40	50	6	19	M4	15.5	4	5	11	4.9
LD1-B-D45L50	45	50	8	22	M4	15.5	4	5	11	4.9
LD1-B-D50L60	50	60	10	22	M5	20	4	6.8	12	10
LD1-B-D56L64	56	64	12	32	M5	20	5	6	14	10
LD1-B-D68L74	68	74	14	35	M6	24.5	5	8	15	17
LD1-B-D82L98	82	98	16	42	M8	30.8	6.5	10.8	23.5	44

LD Serie

Technical parameter

Model	Rated torque (N·m)	Maximum torque (N·m)	Maximum speed (r/min)	Moment of inertia (kg/m ²)	Allowable eccentricity (mm)	Allowable deflection (°)	Weight (g)
LD1-B-D20L20	2.1	3.5	30000	2.9×10 ⁻⁷	0.02	1	27
LD1-B-D26L26	3.6	6	25000	1.1×10 ⁻⁶	0.02	1	47
LD1-B-D32L28	8.4	14	18000	4×10 ⁻⁶	0.02	1	71
LD1-B-D34L33	9	15	18000	4×10 ⁻⁶	0.02	1	91
LD1-B-D34L38	9	15	18000	4×10 ⁻⁶	0.02	1	103
LD1-B-D40L35	13.2	22	15000	9.8×10 ⁻⁵	0.02	1	129
LD1-B-D45L35	15	25	14000	1.6×10 ⁻⁵	0.02	1	160
LD1-B-D50L44	27	45	12000	2×10 ⁻⁵	0.02	1	243
LD1-B-D56L45	28.8	48	11000	6.2×10 ⁻⁵	0.02	1	309
LD1-B-D68L54	46.8	78	9000	1.3×10 ⁻⁴	0.02	1	539
LD1-B-D82L68	15.5	310	7000	4.2×10 ⁻⁴	0.02	1	979
LD1-B-D20L28	2.2	3.7	30000	6.7×10 ⁻⁷	0.15	2	34
LD1-B-D26L35	3.8	6.3	25000	2.3×10 ⁻⁶	0.2	2	60
LD1-B-D32L41	8.8	14.7	25000	2.3×10 ⁻⁶	0.2	2	99
LD1-B-D34L45	9.5	15.8	18000	9×10 ⁻⁶	0.2	2	120
LD1-B-D40L50	13.9	23.1	16000	2.1×10 ⁻⁵	0.25	2	180
LD1-B-D45L50	15.8	27	14000	3.5×10 ⁻⁵	0.3	2	225
LD1-B-D50L60	28.4	48	12000	4.2×10 ⁻⁵	0.3	2	328
LD1-B-D56L64	30.2	50.4	11000	1.2×10 ⁻⁴	0.3	2	435
LD1-B-D68L74	49.1	82	9000	3.5×10 ⁻⁴	0.3	2	735
LD1-B-D82L98	155	310	7000	9×10 ⁻⁴	0.5	2	1407

LDGSerie

Características do produto:

Grande torque, forte rigidez, antivibração, seguro e confiável, longa vida útil
Sem folga, mesmas características positivas e negativas, forte radial, axial e capacidade de compensação angular.

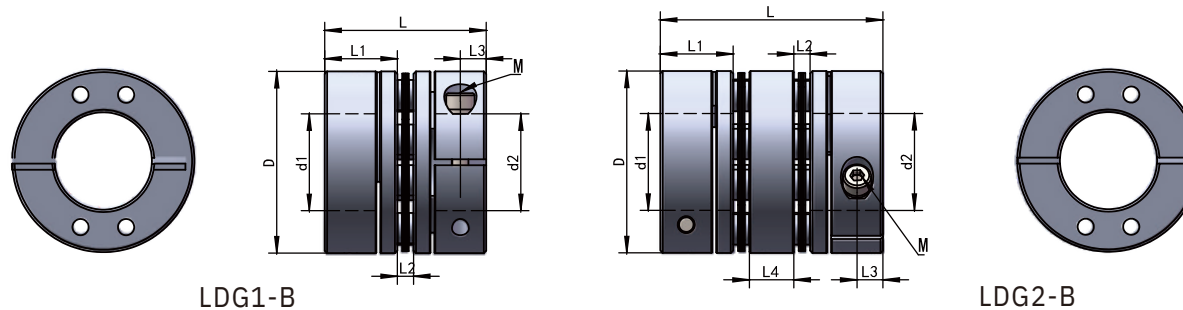
Uso do produto:

Servo motor/motor de passo.



LDG1	- B	- D26	L26	/	8	-	8
Model	Installation	Coupling diameter	Coupling length		Inner apertured1		Inner apertured2

Product size



LDG1-B

LDG2-B

Product model

Model	D (mm)	L (mm)	d1—d2		Mounting screws (M)	L1 (mm)	L2 (mm)	L3 (mm)	L4 (mm)	Screwtightening torque (N.m)
			MinBore	MaxBore						
LDG1-B-D26L26	26	26	4	12	M3	11.8	2.4	4.3	/	2.1
LDG1-B-D32L30	32	30	5	14	M3	13.4	3.2	4.2	/	2.1
LDG1-B-D34L33	34	33	6	16	M4	14.9	3.2	5.2	/	4.9
LDG1-B-D40L35	40	35	8	22	M4	15.9	3.2	5.2	/	4.9
LDG1-B-D45L40	45	40	10	24	M5	18	4	6.4	/	10
LDG1-B-D50L44	50	44	12	26	M5	20	4	6.15	/	10
LDG1-B-D56L49	56	49	14	30	M6	22	5	7	/	17
LDG1-B-D65L58	65	58	16	35	M8	26.5	5	9	/	44
LDG1-B-D87L68	87	68	20	45	M10	30.72	6.5	10.75	/	90
LDG2-B-D26L35	26	35	4	12	M3	11.8	2.4	4.3	6.6	2.1
LDG2-B-D32L41	32	41	5	14	M3	13.4	3.2	4.5	7.8	2.1
LDG2-B-D34L45	34	45	6	16	M4	14.9	3.2	5.2	8.8	4.9
LDG2-B-D40L50	40	50	8	22	M4	15.9	3.2	5.2	11.8	4.9
LDG2-B-D45L55	45	55	10	24	M5	18	3.2	6.4	11	10
LDG2-B-D50L60	50	60	12	26	M5	20	4	6.15	12	10
LDG2-B-D56L68	56	68	14	30	M6	22	4	7	14	17
LDG2-B-D65L78	65	78	16	35	M8	26.5	5.5	9	15	44
LDG2-B-D87L98	87	98	20	45	M10	30.75	6.5	10.75	23.5	90

LDGSerie

Technical parameter

Model	Rated torque (N·m)	Maximum torque (N·m)	Maximum speed (r/min)	Moment of inertia (kg/m ²)	Allowable eccentricity (mm)	Allowable deflection (°)	Weight (g)
LDG1-B-D26L26	2.1	3.5	10000	3×10^{-6}	0.1	1	47
LDG1-B-D32L30	3.6	6	10000	9×10^{-5}	0.1	1	75
LDG1-B-D34L33	9	15	10000	3×10^{-5}	0.1	1	97
LDG1-B-D40L35	13.2	22	10000	3.8×10^{-5}	0.1	1	129
LDG1-B-D45L40	15	25	10000	3.0×10^{-5}	0.1	1	182
LDG1-B-D50L44	27	45	10000	5.8×10^{-5}	0.1	1	243
LDG1-B-D56L49	28.8	48	8000	1.4×10^{-4}	0.1	1	336
LDG1-B-D65L58	46.8	78	6000	5.7×10^{-4}	0.1	1	529
LDG1-B-D87L68	177	295	5000	8.7×10^{-3}	0.1	1	1101
LDG2-B-D26L35	2.2	3.7	10000	3×10^{-6}	0.1	1	60
LDG2-B-D32L41	3.8	6.3	10000	9×10^{-5}	0.1	1	99
LDG2-B-D34L45	9.5	15.8	10000	3×10^{-5}	0.1	1	120
LDG2-B-D40L50	13.9	23.1	10000	3.8×10^{-5}	0.1	1	180
LDG2-B-D45L55	13.2	27	10000	3.0×10^{-5}	0.1	1	246
LDG2-B-D50L60	28.4	48	10000	5.8×10^{-5}	0.1	1	328
LDG2-B-D56L68	30.2	50.4	8000	1.4×10^{-4}	0.1	1	462
LDG2-B-D65L78	49.1	82	6000	5.7×10^{-4}	0.1	1	708
LDG2-B-D87L98	155	310	5000	8.7×10^{-3}	0.1	1	1582

LT Serie

Características do produto:

Rigidez torcional muito elevada e baixo momento de inércia. Fabricado em alumínio superduro.

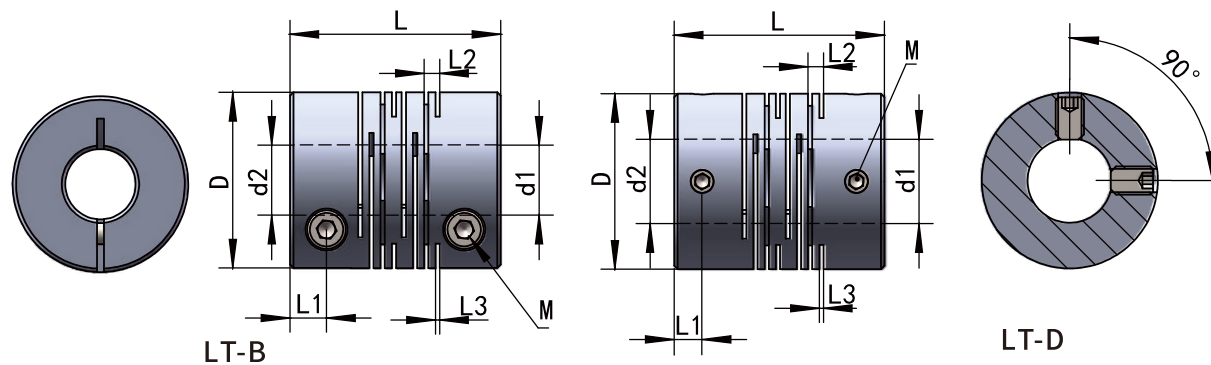
Uso do produto:

Slide do eixo Xy/tabela de indexação/codificador.



LT	-	B/D	-	D19	L25	/	6	-	6
Model		Installation		Coupling diameter	Coupling length		Inner apertured1		Inner apertured2

Product size



Product model

Model	D (mm)	L (mm)	d1 — d2		Mounting screws (M)	L1 (mm)	L2 (mm)	L3 (mm)	Screwtightening torque (N.m)
			MinBore	MaxBore					
LT-B-D15L20	15	20	4	6	M2.5	3	1.5	0.5	1.1
LT-B-D19L25	19	25	6	10	M2.5	3	1.5	0.5	1.1
LT-B-D25L30	25	30	8	12	M3	4	1.5	0.5	2.1
LT-B-D30L35	30	35	8	18	M3	5	1.5	0.5	2.1
LT-B-D35L40	35	40	8	20	M4	5	1.8	0.6	4.9
LT-B-D40L45	40	45	10	22	M5	6	1.8	0.6	10
LT-B-D15L20	15	20	4	6	M3	3	1.5	0.5	2.1
LT-B-D19L25	19	25	5	10	M4	3	1.5	0.5	4.9
LT-D-D25L30	25	30	6	12	M4	4	1.5	0.5	4.9
LT-D-D30L35	30	35	8	18	M5	5	1.5	0.5	10
LT-D-D35L40	35	40	8	22	M5	5	1.8	0.6	10
LT-D-D40L45	40	45	10	28	M6	6	1.8	0.6	17

Technical parameter

Model	Rated torque (N·m)	Maximum torque (N·m)	Maximum speed (r/min)	Moment of inertia (kg/m ²)	Allowable eccentricity (mm)	Allowable deflection (°)	Weight (g)
LT-B-D15L20	0.5	1	30000	2.5×10^{-7}	0.05	0.5	20
LT-B-D19L25	1	2	25000	5.8×10^{-7}	0.05	0.5	29
LT-B-D25L30	1.5	3	18000	1.8×10^{-6}	0.05	0.5	50
LT-B-D30L35	2	4	16000	4.7×10^{-6}	0.05	0.5	77
LT-B-D35L40	3	6	14000	1.1×10^{-5}	0.05	0.5	114
LT-B-D40L45	6	12	12000	2.3×10^{-5}	0.02	0.5	163
LT-B-D15L20	0.5	1	30000	2.5×10^{-7}	0.05	0.2	20
LT-B-D19L25	1	2	25000	5.8×10^{-7}	0.05	0.5	29
LT-D-D25L30	1.5	3	18000	1.8×10^{-6}	0.05	0.5	50
LT-D-D30L35	2	4	16000	4.7×10^{-6}	0.05	0.5	77
LT-D-D35L40	3	6	14000	1.1×10^{-5}	0.05	0.5	114
LT-D-D40L45	6	12	12000	2.3×10^{-5}	0.05	0.5	163

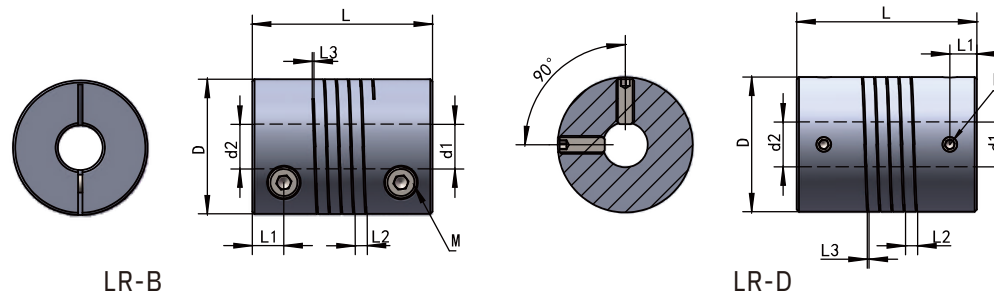
LRSerie

Características do produto:
 Fabricado em alumínio
 superduro. Acoplamento flexível
 metálico de peça única. Uso do
 produto:
 Corrediça/codificador do eixo Xy.



LR	-	B/D	-	D19	L25	/	6	-	6
Model		Installation		Coupling diameter	Coupling length		Inner apertured1		Inner apertured2

Product size



Product model

Model	D (mm)	L (mm)	d1—d2		Mounting screws (M)	L1 (mm)	L2 (mm)	L3 (mm)	Screwtightening torque (N.m)
			MinBore	MaxBore					
LR-B-D15L20	15	20	3	6.35	M2.5	3.5	2.2	0.4	1.1
LR-B-D19L25	19	25	4	8	M3	4	2	0.4	2.1
LR-B-D25L30	25	30	5	12	M3	4.5	2.5	0.4	2.1
LR-B-D30L35	30	35	8	16	M4	5	2.5	0.5	4.9
LR-B-D35L40	35	40	8	20	M4	6	3.5	0.5	4.9
LR-B-D40L45	40	45	10	25	M5	8	3.5	0.6	10
LR-B-D15L20	15	20	3	8	M3	2.5	2	0.4	2.1
LR-B-D19L25	19	25	6	10	M3	3	2	0.4	2.1
LR-D-D25L30	25	30	8	12	M4	4	2	0.4	4.9
LR-D-D30L35	30	35	8	18	M4	4	2.5	0.5	4.9
LR-D-D35L40	35	40	8	22	M5	5	2.5	0.5	10
LR-D-D40L45	40	45	10	28	M6	6	3.5	0.6	17

Technical parameter

Model	Rated torque (N·m)	Maximum torque (N·m)	Maximum speed (r/min)	Moment of inertia (kg/m ²)	Allowable eccentricity (mm)	Allowable deflection (°)	Weight (g)
LR-B-D15L20	0.5	1	30000	2.5×10^{-7}	0.05	0.5	20
LR-B-D19L25	1	2	25000	5.8×10^{-7}	0.05	0.5	29
LR-B-D25L30	1.5	3	18000	1.8×10^{-6}	0.05	0.5	50
LR-B-D30L35	2	4	16000	4.7×10^{-6}	0.05	0.5	77
LR-B-D35L40	3	6	14000	1.1×10^{-5}	0.05	0.5	114
LR-B-D40L45	6	12	12000	2.3×10^{-5}	0.05	0.5	163
LR-B-D15L20	0.5	1	30000	2.5×10^{-7}	0.05	0.5	20
LR-B-D19L25	1	2	25000	5.8×10^{-7}	0.05	0.5	29
LR-D-D25L30	1.5	3	18000	1.8×10^{-6}	0.05	0.5	50
LR-D-D30L35	2	4	16000	4.7×10^{-6}	0.05	0.5	77
LR-D-D35L40	3	6	14000	1.1×10^{-5}	0.05	0.5	114
LR-D-D40L45	6	12	12000	2.3×10^{-5}	0.05	0.5	163